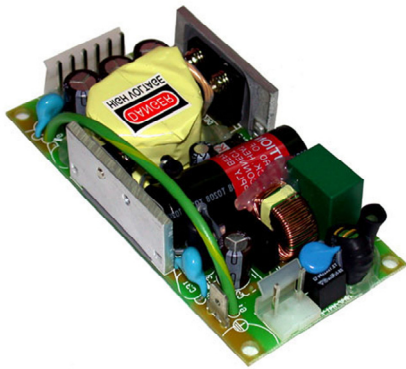


# HiTRON

## UNIVERSAL INPUT AC-DC MEDICAL USE OPEN FRAME SINGLE OUTPUT 63 WATTS INTERNAL SWITCHING POWER SUPPLIES HMI63 SERIES



### FEATURES:

- ACCOMMODATE UNIVERSAL AC SOURCES
- COMPACT 4"x2"x1" PCB FORMAT
- MEET MEDICAL STANDARD EN 60601-1/  
UL 2601-1
- EMI MEET EN 55011 & FCC CLASS B
- CE MARKING COMPLIANCE

### SPECIFICATION

#### INPUT SPECIFICATION

**Input Voltage:** Range typ. 90-264Vac.  
Rating 100 to 240Vac.  
**Input Connector:** V-M connector.  
**Input Frequency:** 47-63Hz.  
**Inrush Current:**  $\leq 12.0A$  rms cold start @230Vac.  
**Input Current:** Typ. 0.9A@115Vac, 0.435 @230Vac.  
**Dielectric Withstand:** Meet IEC 60601-1.  
**EMI:** Meet EN 55011 & FCC Class B.  
**Hold-up Time:** Typ. 11.2mS @115Vac, 72mS @ 230Vac.  
**Earth Leakage:** Less than 0.1mA @230Vac.

#### OUTPUT SPECIFICATION

**Output Voltage:** See Ratings Chart.  
**Output Current:** See Ratings Chart.  
**Output Connector:** V-M connector.  
**Output Wattage:** Typ. 62 watts.  
**Line Regulation:** Typ. 0.1%.  
**Load Regulation:** Main VO1 typ.  $\pm 1.0\%$ .  
**Noise & Ripple:** Typ. 1.0% peak to peak.  
**OVP:** Built-in at main output VO1(Latch).  
**Adjustability:** Not available.  
**Overload Protection (OLP):**  
Fully protected against outputs overload and short circuit.  
Typ. OLP set at 105-120% of rating output power.  
Consult the factory for OLP setting.

#### GENERAL SPECIFICATION

**Efficiency:** Typ. 80-89.5 %. (Various with output voltage).  
**Switching Frequency:** 85KHz.  
**Circuit Topology:** Fixed frequency flyback circuit.  
**Transient Response:** Output voltage returns in less than  
0.5mS following a 50% load change.  
**Safety Standard:** Medical standards IEC 60601-1/  
UL 2601-1/EN 60601-1 Class I.  
**Power Density:** 7.7Watts / Cubic Inch.

**Operating Temperature:** 0 to +50 °C under forced air flow  
for full load. Derate by 1.3W/°C  
from 40°C to 50°C.  
**Storage Temperature:** -20 to +85°C.  
**Temperature Coefficient:** Typ. 0.04%/°C.  
**Cooling:** At least 5 cfm direct forward air flow is required to  
achieve full rating power.  
**Construction:** 4"x2"x1" PCB format.

Note: Due to requests in market and advances in technology, specifications subject to change without notification.



In application

## OUTPUT VOLTAGE / CURRENT RATINGS CHART

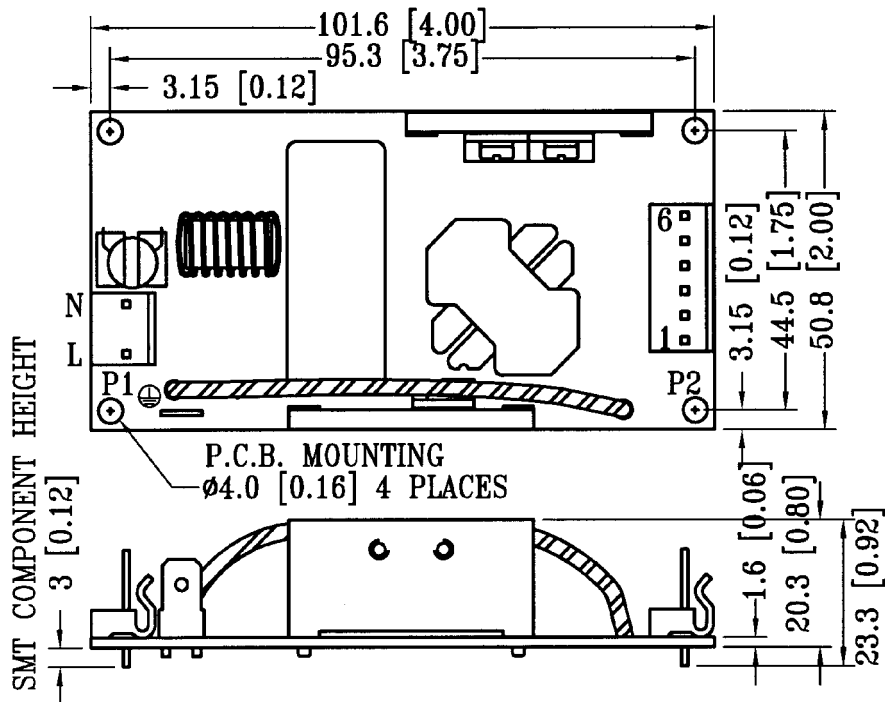
### SINGLE OUTPUT

MODEL NO.	MAIN VO1 ★	
	Typ.	Volt.
HMI63-S120500	5.00A	12.0V
HMI63-S150400	4.00A	15.0V
HMI63-S240250	2.50A	24.0V
HMI63-S480125	1.25A	48.0V

Symbol: “★” OVP built-in.

**MECHANICAL DIMENSIONS: MM [INCHES]**

**WEIGHT: 121g (4.27 Oz.)**



### INPUT & OUTPUT CONNECTORS PIN ASSIGNMENT

ASSIGNMENT CNTR/PIN#	AC INPUT			SINGLE OUTPUT	
	AC-L	AC-N	AC-G	VO1	DC COM
	P1-L	P1-N	G	P2-1,2	P2-3,4

Mating connector: P1,2 Molex # 5195 or 5239 series.