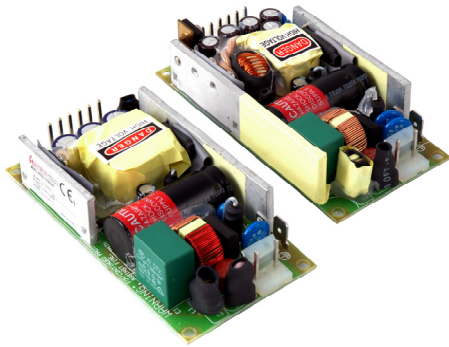


HiTRON

UNIVERSAL INPUT AC-DC OPEN FRAME SINGLE & TRIPLE OUTPUT 63 WATTS INTERNAL SWITCHING POWER SUPPLIES HVI63 SERIES



FEATURES:

- ACCOMMODATE UNIVERSAL AC SOURCES
- COMPACT 4"x2"x1" PCB FORMAT
- MEET UNIVERSAL SAFETY STANDARDS
- EMI MEET CISPR PUB. 22 & FCC CLASS B
- CE MARKING COMPLIANCE

SPECIFICATION

INPUT SPECIFICATION

Input Voltage: Range typ. 90-264Vac.

Rating 100 to 240Vac.

Input Connector: V-M connector.

Input Frequency: 47-63Hz.

Inrush Current: $\leq 12.0A$ rms @ cold start @230Vac.

Input Current: Typ. 0.9A@115Vac, 0.435A@230Vac.

Dielectric Withstand: Meet IEC 60950-1.

EMI: Meet CISPR PUB. 22 & FCC Class B.

Hold-up Time: Typ. 11.2mS @115Vac, 72.mS @ 230Vac.

Earth Leakage: Less than 0.42mA @230Vac.

OUTPUT SPECIFICATION

Output Voltage: See Ratings Chart.

Output Current: See Ratings Chart.

Output Connector: V-M connector.

Output Wattage: Typ. 62 watts.

Line Regulation: Typ. 0.1%.

Load Regulation: Main VO1 typ. $\pm 1.0\%$.

Aux. VO2 typ. $\pm 3-8.0\%$.

Aux. VO3 typ. $\pm 3.0\%$.

Noise & Ripple: Typ. 1.0% peak to peak.

OVP: Built-in at main output VO1(Latch).

Adjustability: Not available.

Overload Protection (OLP):

Fully protected against outputs overload and short circuit.

Typ. OLP set at 105-120% of rating output power.

Consult the factory for OLP setting.

GENERAL SPECIFICATION

Efficiency: Typ. 80-89.5 %. (Various with output voltage).

Switching Frequency: 130KHz or 70K Hz.

Circuit Topology: Fixed frequency forward circuit for triple output and 5V/3.3V of single output.

Fixed frequency flyback circuit for high voltage of single output.

Transient Response: Output voltage returns in less than 0.5mS following a 50% load change.

Safety Standard: IEC 60950-1 Class I.

Power Density: 7.7Watts / Cubic Inch.

Operating Temperature: 0 to +50 °C under forced air flow for full load. Derate by 1.3W/°C from 40°C to 50°C.

Storage Temperature: -20 to +85°C.

Temperature Coefficient: Typ. 0.04%/°C.

Cooling: At least 5 cfm direct forward air flow is required to achieve full rating power.

Construction: 4"x2"x1" PCB format.

Note: Due to requests in market and advances in technology, specifications subject to change without notification.



In application

OUTPUT VOLTAGE / CURRENT RATINGS CHART

SINGLE OUTPUT

MODEL NO.	MAIN VO1 ★				
	Min.	Typ.	Volt.	Max.	Peak
HVI63-S033100	0.2A	10.00A	3.3V	10.00A	12.0A
HVI63-S050100	0.2A	10.00A	5.0V	10.00A	12.0A
HVI63-S120050	0.0A	5.00A	12.0V	5.00A	6.0A
HVI63-S150040	0.0A	4.00A	15.0V	4.00A	5.0A
HVI63-S240025	0.0A	2.50A	24.0V	2.50A	3.0A
HVI63-S480125	0.0A	1.25A	48.0V	1.25A	1.3A

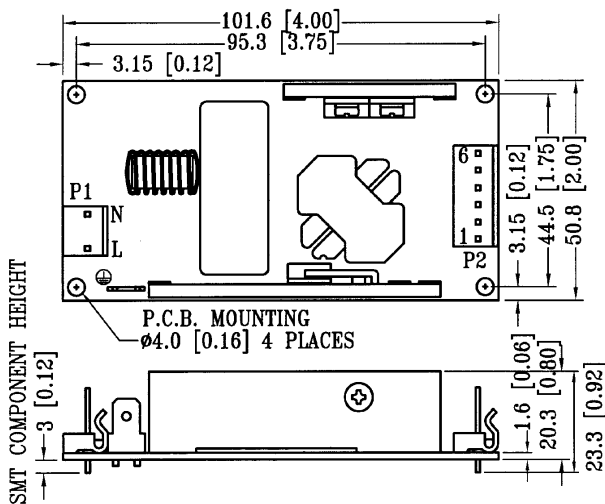
TRIPLE OUTPUT

MODEL NO.	MAIN +VO1 ★					AUX. +VO2 ■					AUX. -VO3 ■				
	Min.	Typ.	Volt.	Max.	Peak	Min.	Typ.	Volt.	Max.	Peak	Min.	Typ.	Volt.	Max.	Peak
HVI63-T050II	0.5A	6.0A	+5.0V	8A	10A	0.1A	2.2A	+12V	3.0A	4A	0A	0.5A	-12V	0.5A	1A
HVI63-T050MI	0.5A	6.0A	+5.0V	8A	10A	0.1A	1.1A	+24V	1.5A	2A	0A	0.5A	-12V	0.5A	1A
HVI63-T050KK	0.5A	6.0A	+5.0V	8A	10A	0.1A	1.8A	+15V	2.5A	3A	0A	0.5A	-15V	0.5A	1A
HVI63-T033EI	0.5A	8.0A	+3.3V	8A	10A	0.1A	3.0A	+5V	3.0A	4A	0A	0.5A	-12V	0.5A	1A

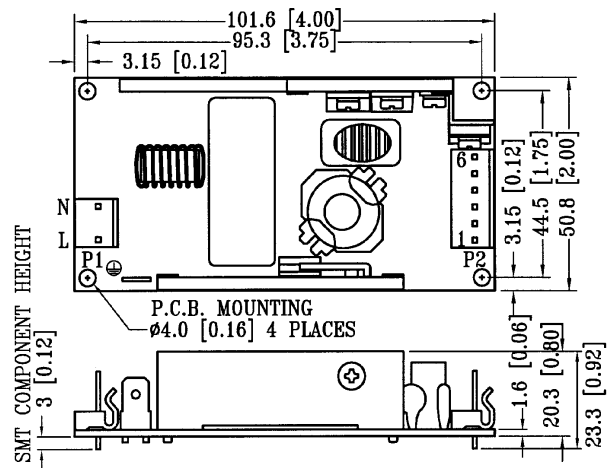
Symbol: "★" OVP built-in. "■" Couple common choke.

MECHANICAL DIMENSIONS: MM [INCHES]

WEIGHT: 121g (4.27 Oz.)



SINGLE OUTPUT



TRIPLE OUTPUT

INPUT & OUTPUT CONNECTORS PIN ASSIGNMENT

ASSIGNMENT CNTR/PIN#	AC INPUT			SINGLE OUTPUT		TRIPLE OUTPUT			
	AC-L	AC-N	AC-G	VO1	DC COM	VO1	VO2	VO3	DC COM
	P1-L	P1-N	G	P2-1,2	P2-3,4	P2-1,2	P2-6	P2-5	P2-3,4

Mating connector: P1,2 Molex # 5195 or 5239 series.